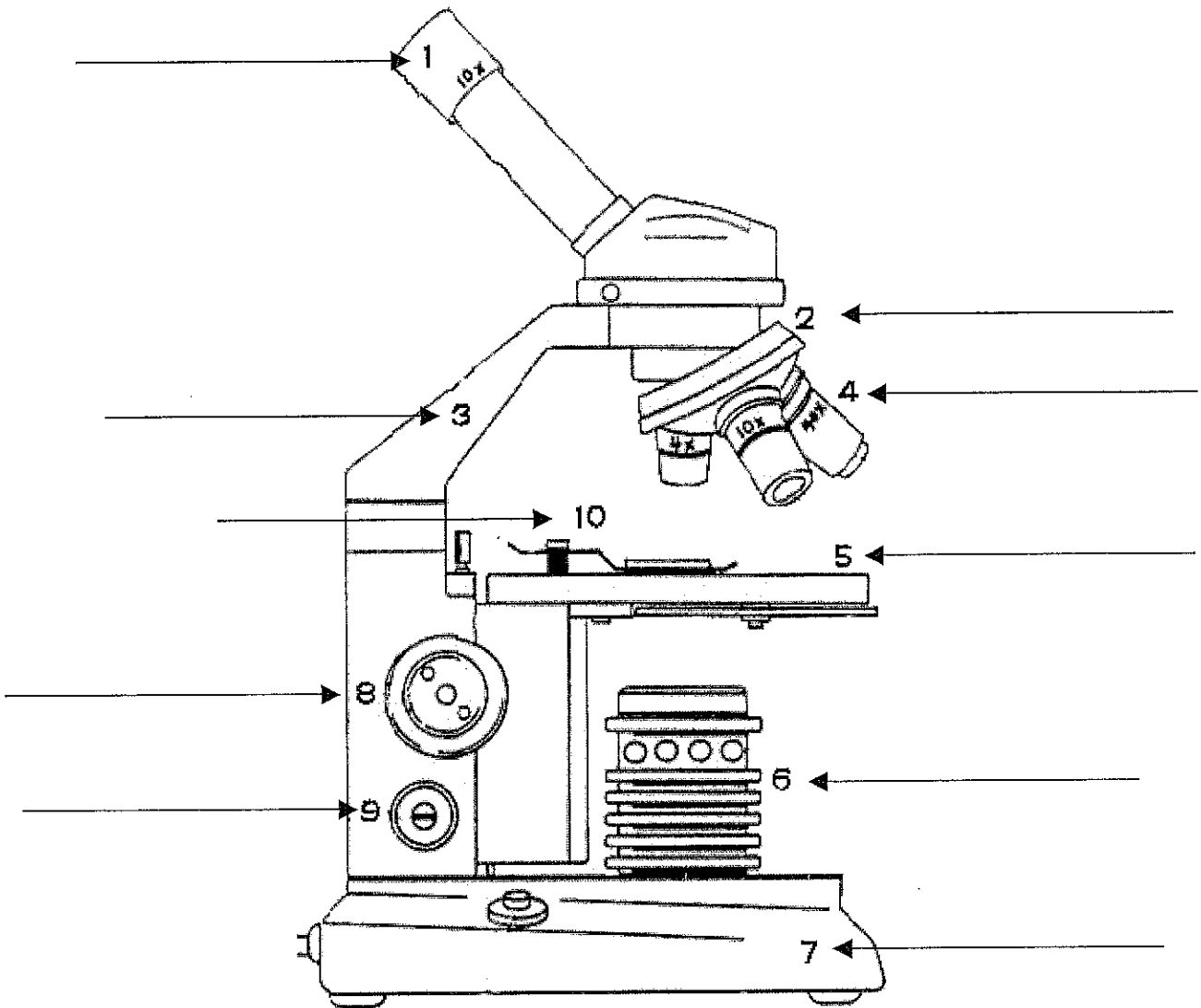


The Compound Light Microscope

Directions: Correctly label the microscope.



The Compound Light Microscope

Directions: Label the microscope correctly.

